

**Solenoid Valve (with M12 Connector)**  
**Conforming to ISO Standard**

**Series EVS7-6, 7-8, 7-10**  
 (Size 1) (Size 2) (Size 3)



**Large capacity**

	Flow rate	Cylinder driving size
EVS7-6 (Size 1)	1200L/min (ANR)	ø100
EVS7-8 (Size 2)	3000L/min (ANR)	ø160
EVS7-10 (Size 3)	5500L/min (ANR)	ø200

\*Rubber seal, single type

**Light weight**

Size 1 (3-position): 0.55kg  
 Size 2 (3-position): 0.80kg  
 Size 3 (3-position): 1.13kg

**Interface conforms to ISO standard**

Size 1 (EVS7-6), Size 2 (EVS7-8), and Size 3 (EVS7-10)  
 Conform to ISO5599/1

**Reduced installation space**

Up to 7% reduction in square area installation (compared to Series EVS7)  
 Up to 35% reduction in cubic area installation (for Cnomo)

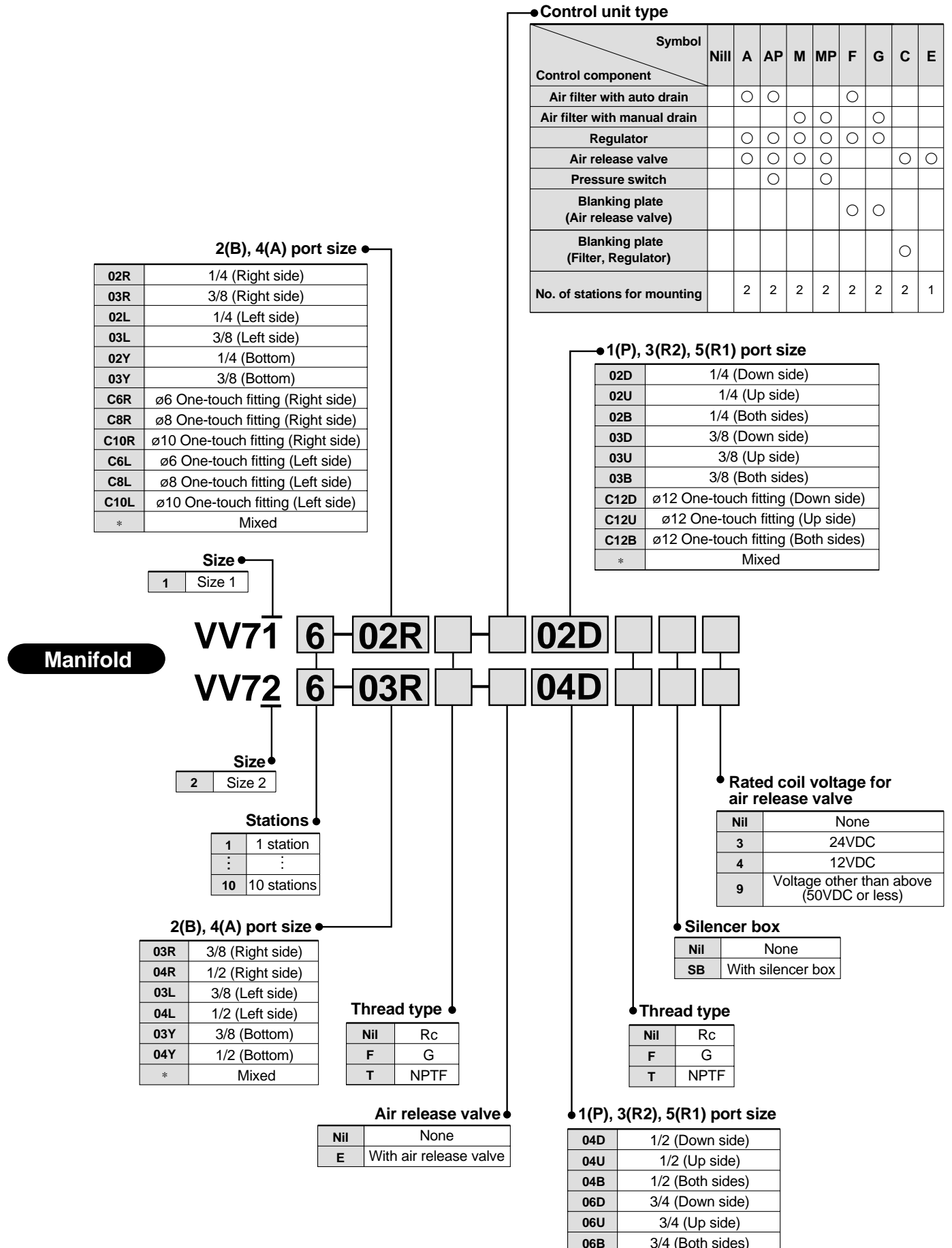
**Accommodates enclosure IP65**

Dust/Splashproof type

**Wide variety of manifold option**



## How to Order



# Series EVS7-□

## Models

### Series EVS7-6



Positions			Bore Size	Flow rate characteristics					
				1→4, 2 (P→A, B)			4, 2→5, 3 (A, B→EA, EB)		
				C	b	Cv	C	b	Cv
2-position	Single	Metal seal	1/4	4.1	0.10	0.9	5.2	0.07	1.1
		Rubber seal		5.0	0.13	1.1	6.0	0.11	1.4
	Double	Metal seal		4.1	0.10	0.9	5.2	0.07	1.1
		Rubber seal		5.0	0.13	1.1	6.0	0.11	1.4
3-position	Closed center	Metal seal		4.1	0.10	0.9	5.2	0.10	1.1
		Rubber seal		5.0	0.13	1.1	5.6	0.20	1.3
	Exhaust center	Metal seal		4.1	0.10	0.9	5.2	0.10	1.1
		Rubber seal		4.8	0.16	1.1	6.0	0.17	1.4
	Pressure center	Metal seal	4.1	0.10	0.9	5.2	0.08	1.1	
		Rubber seal	5.6	0.15	1.2	5.9	0.08	1.3	
	Perfect type	Metal seal	1.4	—	—	3.1	—	—	
		Rubber seal	1.4	—	—	3.1	—	—	

### Series EVS7-8



Positions			Bore Size	Flow rate characteristics					
				1→4, 2 (P→A, B)			4, 2→5, 3 (A, B→EA, EB)		
				C	b	Cv	C	b	Cv
2-position	Single	Metal seal	3/8	10	0.18	2.4	12	0.24	3.0
		Rubber seal		12	0.24	3.0	13	0.27	3.3
	Double	Metal seal		10	0.18	2.4	12	0.24	3.0
		Rubber seal		12	0.24	3.0	13	0.27	3.3
3-position	Closed center	Metal seal		10	0.28	2.4	10	0.24	2.4
		Rubber seal		11	0.25	2.8	11	0.27	2.8
	Exhaust center	Metal seal		10	0.16	2.4	10	0.20	2.4
		Rubber seal		11	0.26	2.8	13	0.27	3.3
	Pressure center	Metal seal	10	0.26	2.4	11	0.25	2.8	
		Rubber seal	13	0.27	3.3	12	0.29	3.0	
	Perfect type	Metal seal	7.2	—	—	7.0	—	—	
		Rubber seal	7.2	—	—	7.0	—	—	

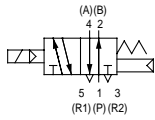
### Series EVS7-10



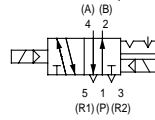
Positions			Bore Size	Flow rate characteristics					
				1→4, 2 (P→A, B)			4, 2→5, 3 (A, B→EA, EB)		
				C	b	Cv	C	b	Cv
2-position	Single	Metal seal	1/2	13	0.10	3.0	18	0.10	4.0
		Rubber seal		16	0.20	4.0	18	0.20	4.4
	Double	Metal seal		13	0.10	3.0	18	0.10	4.0
		Rubber seal		16	0.20	4.0	18	0.20	4.4
3-position	Closed center	Metal seal		13	0.10	3.0	18	0.10	4.0
		Rubber seal		15	0.20	3.5	15	0.20	3.7
	Exhaust center	Metal seal		13	0.10	3.0	18	0.10	4.0
		Rubber seal		16	0.20	4.0	16	0.20	4.0
	Pressure center	Metal seal	13	0.10	3.0	18	0.10	4.0	
		Rubber seal	15	0.20	3.8	19	0.10	4.4	

**Symbol**

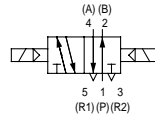
2-position single



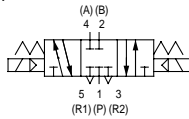
2-position double (metal)



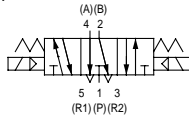
2-position double (rubber)



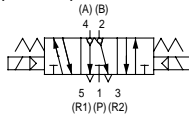
3-position closed center



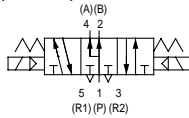
3-position exhaust center



3-position perfect



3-position pressure center



**Standard Specifications**

<b>Valve specifications</b>	Valve type	Metal seal	Rubber seal	
	Fluid	Air, Inert gas		
	Maximum operating pressure	1.0MPa		
	Minimum operating pressure	Single	0.1MPa	0.1MPa
		Double	0.1MPa	0.1MPa
		3-position	0.1MPa	0.1MPa: Size 1 0.15MPa: Size 2, 3
	Ambient and fluid temperature	-10° to 60°C <small>Note1)</small>	-5° to 60°C <small>Note1)</small>	
	Lubrication	None		
	Manual override	Push type (tool required)		
	Impact resistance/ Vibration resistance	150/50m/s <sup>2</sup> <small>Note2)</small>		
Enclosure	IP65 (Dust/Splashproof type)			
<b>Electric specifications</b>	Rated coil voltage	12VDC, 24VDC		
	Allowable voltage fluctuation	-15 to +10% of rated voltage		
	Type of coil insulation	Equivalent to class B		
	Power consumption	24VDC	1.8W DC (75mA)	
		12VDC	1.8W DC (150mA)	

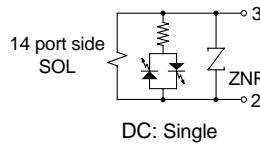
Note 1) Use dry air to prevent condensation at low temperatures.

Note 2) **Impact resistance:** No malfunction resulted during on the impact test using a drop impact tester. The test was performed one time each in the axial and right angle directions of the main valve and armature for both energized and de-energized conditions.

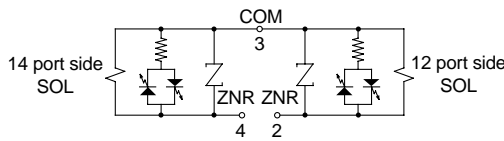
**Vibration resistance:** No malfunction resulted during a one-sweep test between 8.3 and 2000Hz. The test was performed in the axial and right angle directions of the main valve and armature for both energized and de-energized conditions.

**Specific Product Precautions**

**⚠ Caution**  
**Internal Wiring Specifications**

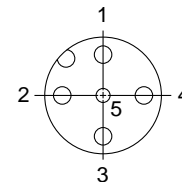


DC: Single



DC: Double

**M12 connector: Wiring specifications**

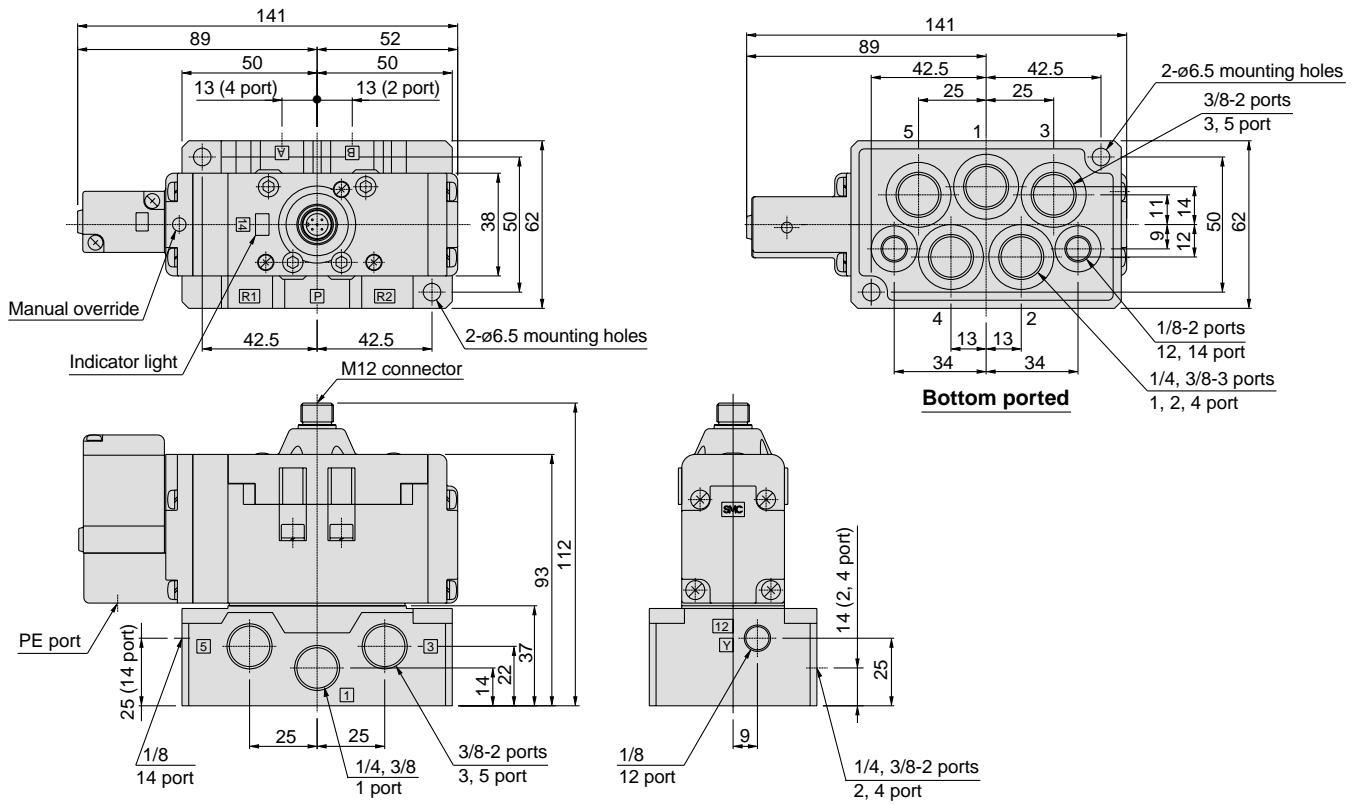


- Pin no.
- 1: Open
- 2: 12 port side SOL (+)
- 3: COM (-)
- 4: 14 port side SOL (+)
- 5: Ground

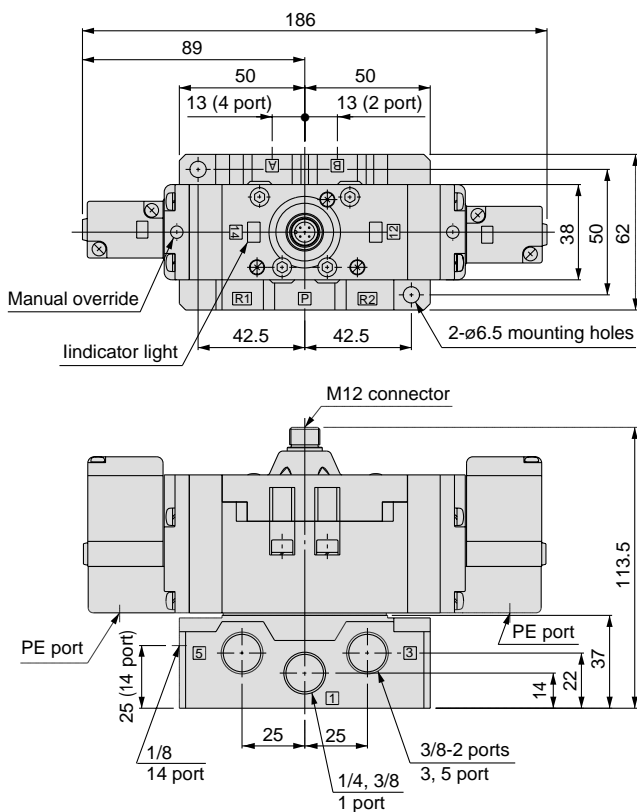
# Series EVS7-□

## Dimensions

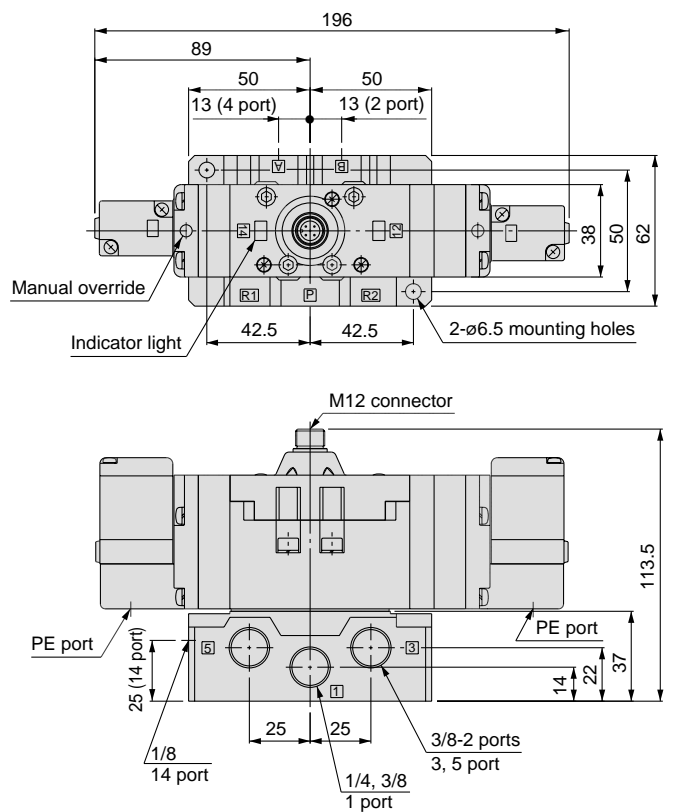
### EVS7-6-FG-S-□□M0



### EVS7-6-FG-D-□□M0



### EVS7-6-F<sup>H</sup>G-D-□□M0

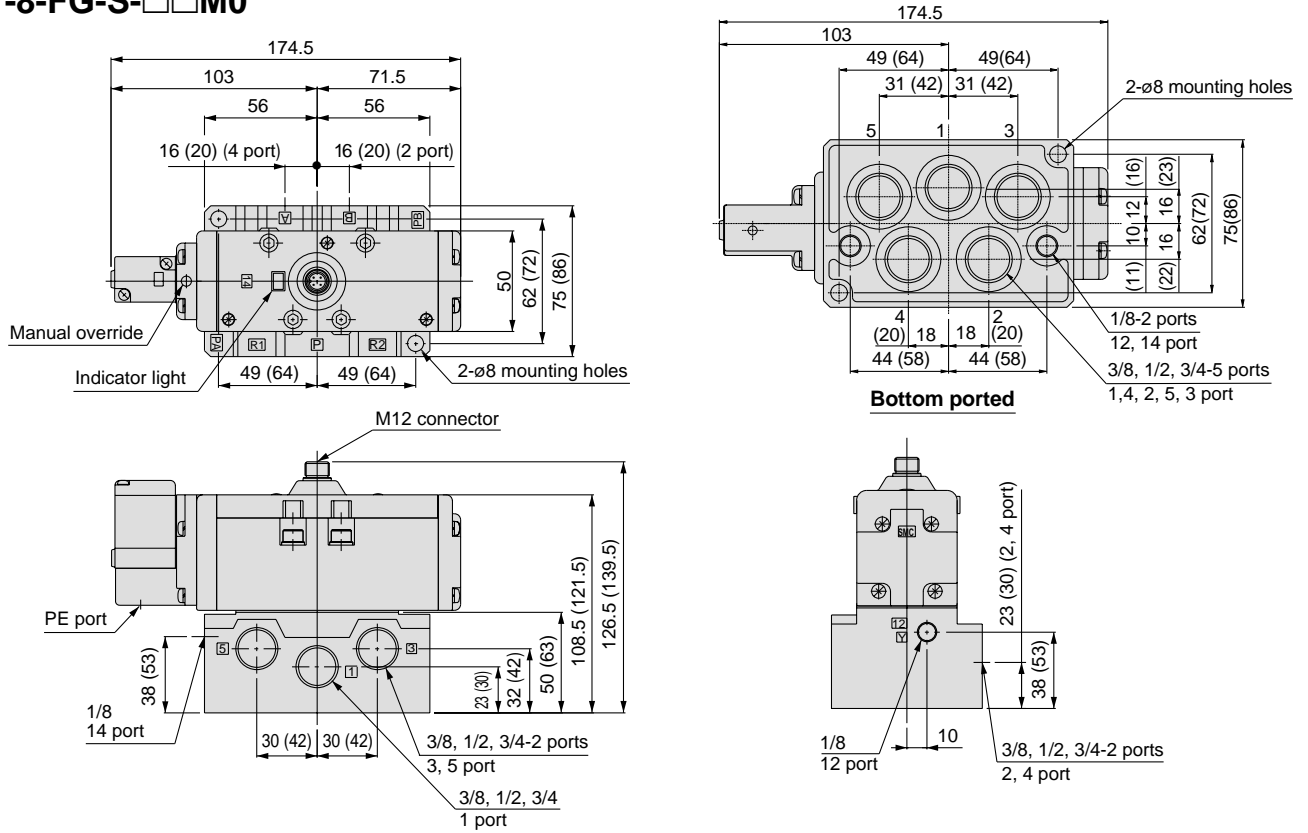




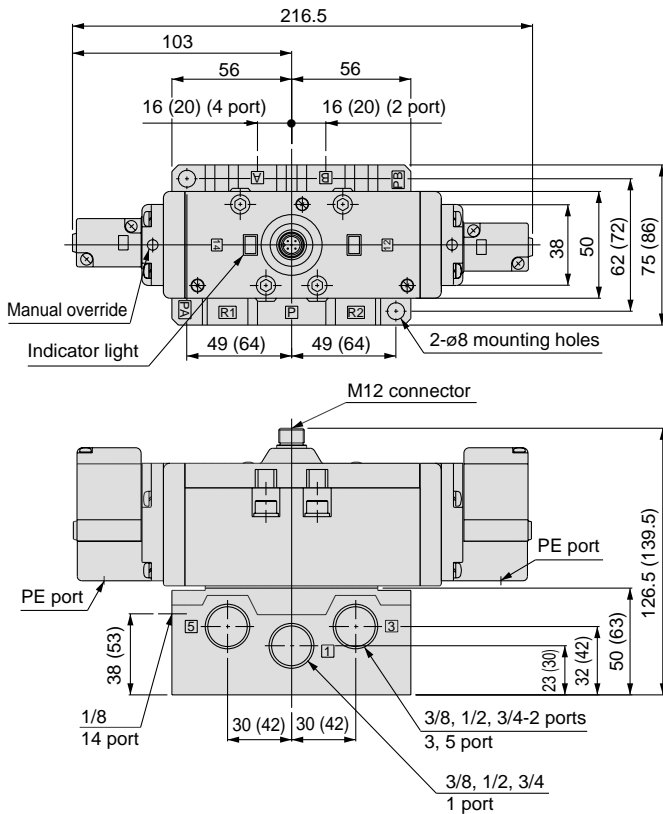
# Series EVS7-□

## Dimensions

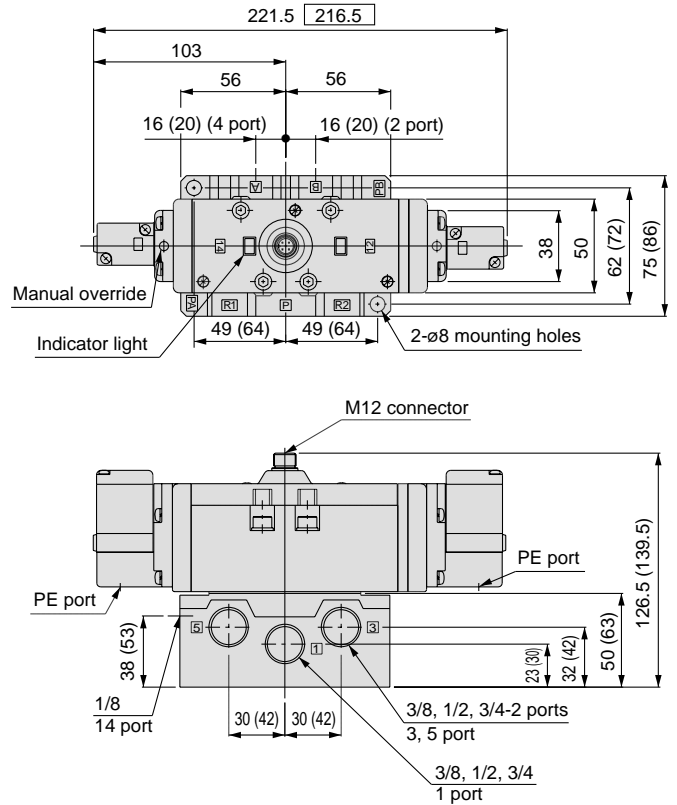
### EVS7-8-FG-S-□□M0



### EVS7-8-FG-D-□□M0



### EVS7-8-F<sup>H</sup><sub>J</sub>G-D-□□M0

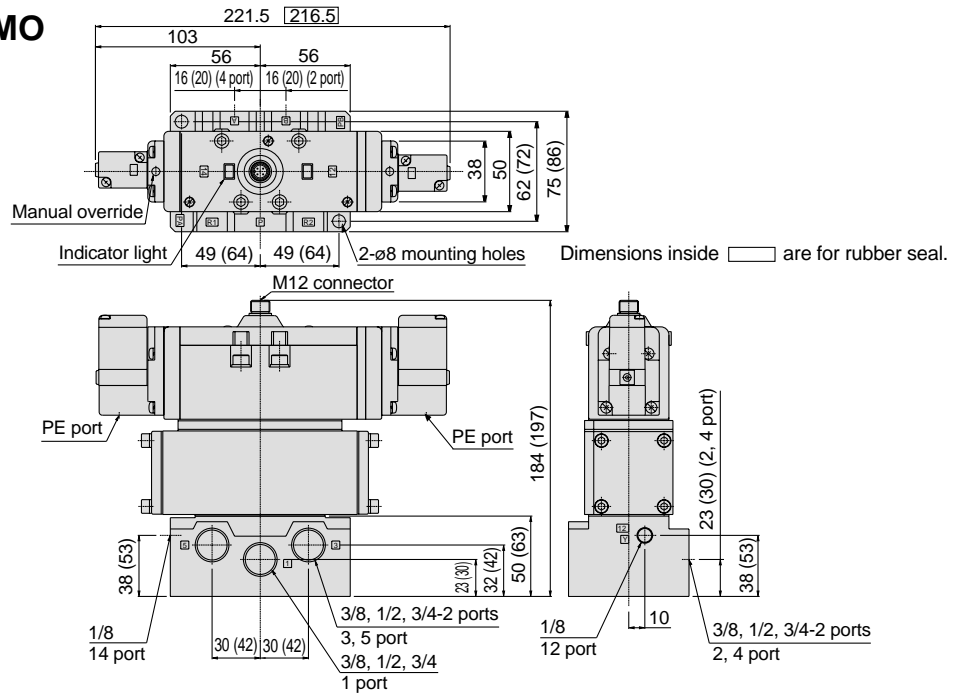


Dimension inside   is for rubber seal.  
Dimensions inside ( ) are for Sub-plate.



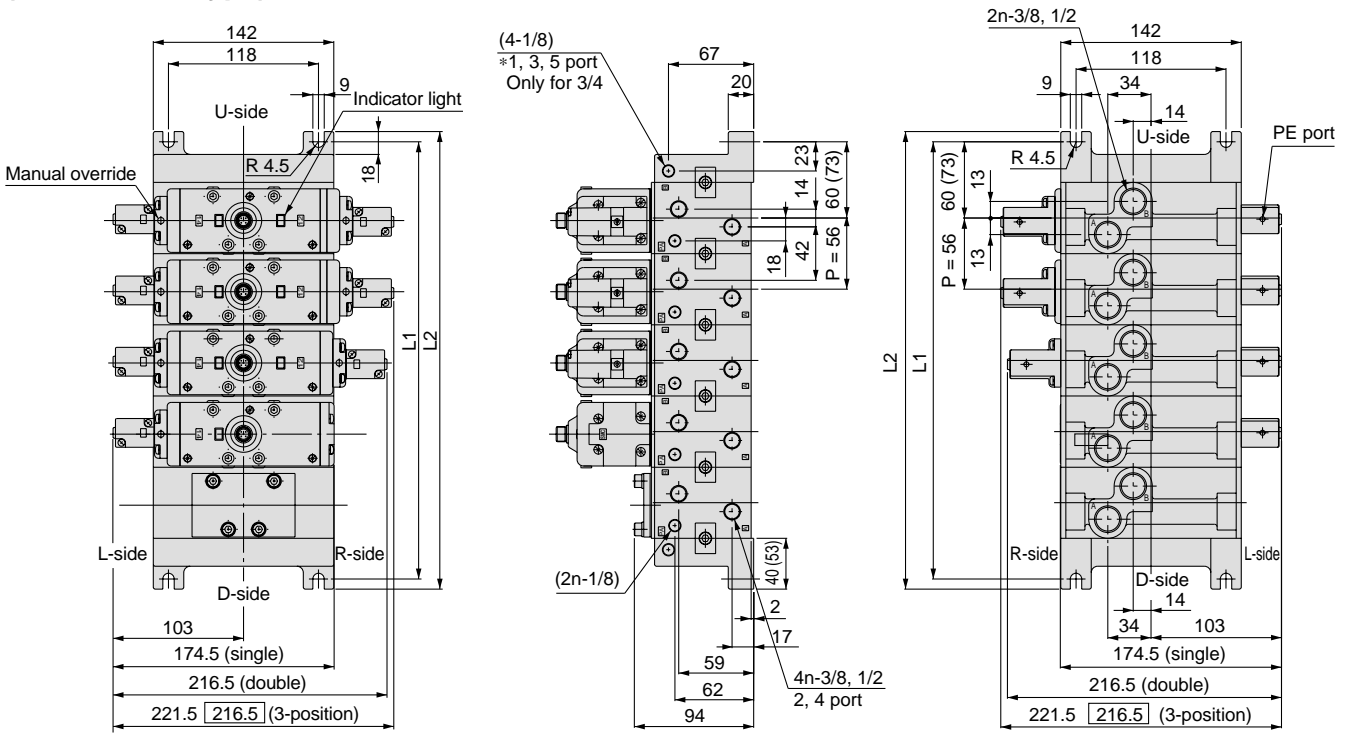
**Dimensions**

**EVS7-8-FPG-D-□□MO**



**VV72□-□-□□□**

**(M connector type)**



**Bottom ported**

**L: Dimensions**

n: Stations

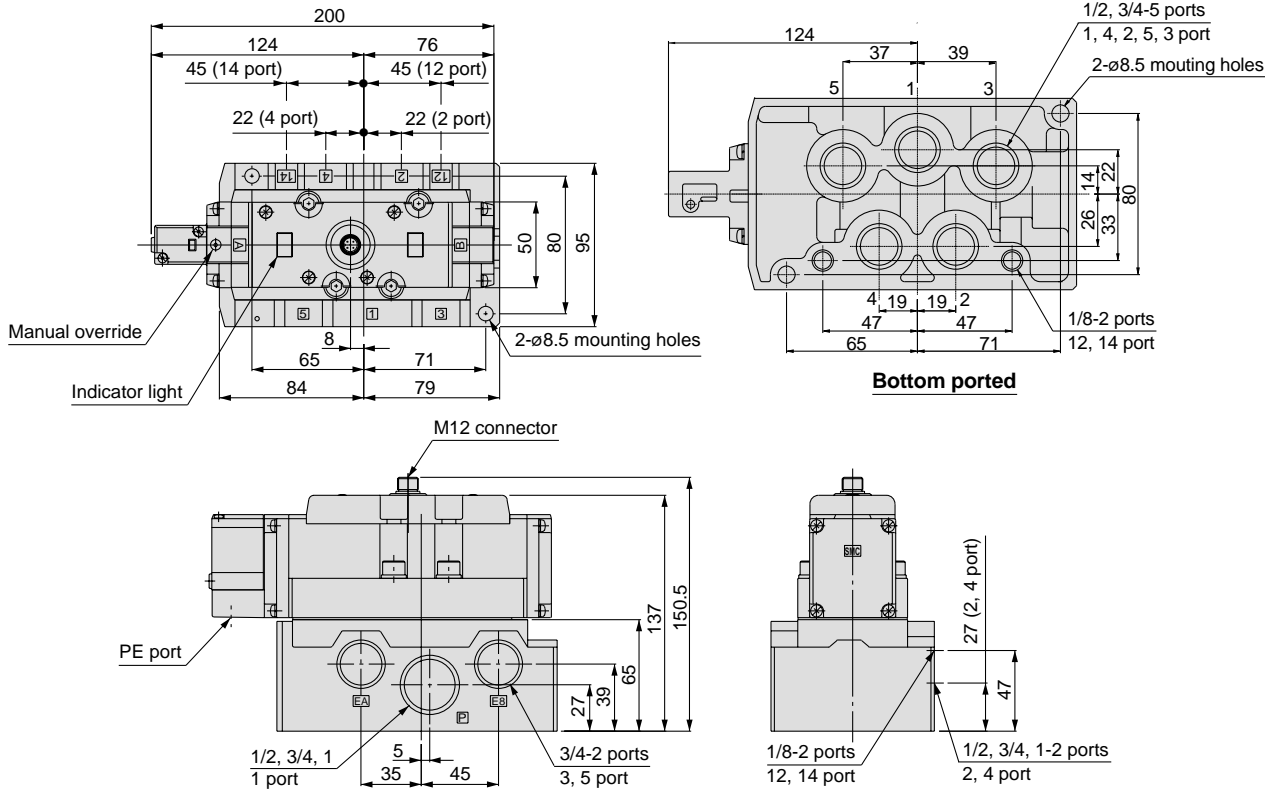
P, R1, R2 port	n	n: Stations										Formulas
		1	2	3	4	5	6	7	8	9	10	
Rc 1/2	L1	120	176	232	288	344	400	456	512	568	624	L1 = 56n + 64 L2 = 56n + 80
	L2	136	192	248	304	360	416	472	528	584	640	
Rc 3/4	L1	146	202	258	314	370	426	482	538	594	650	L1 = 56n + 90 L2 = 56n + 106
	L2	162	218	274	330	386	442	498	554	610	666	

Dimensions inside ( ) are for Rc 3/4.  
Dimensions inside □ are for rubber seal.

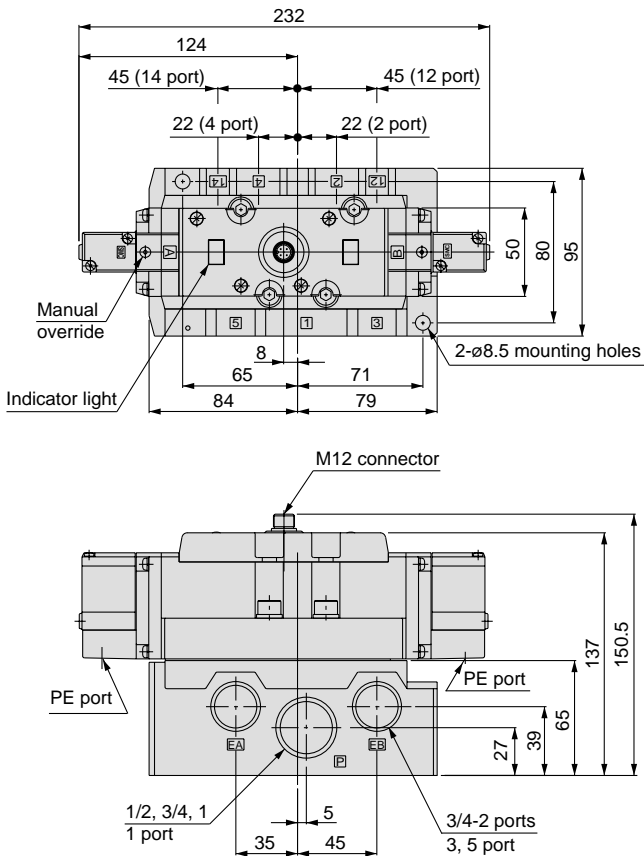
# Series EVS7-□

## Dimensions

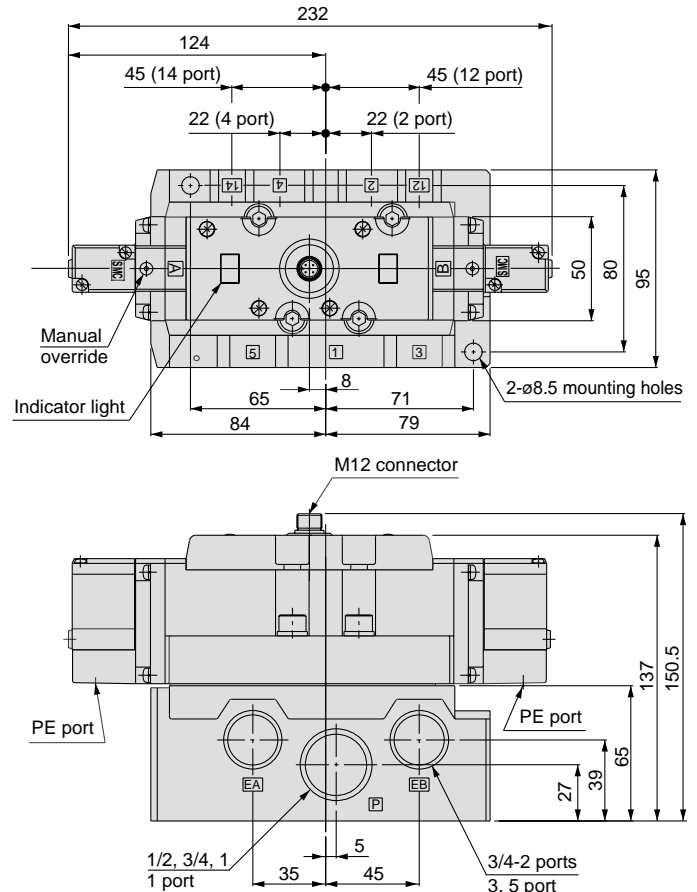
### EVS7-10-FG-S-□□M0



### EVS7-10-FG-D-□□M0



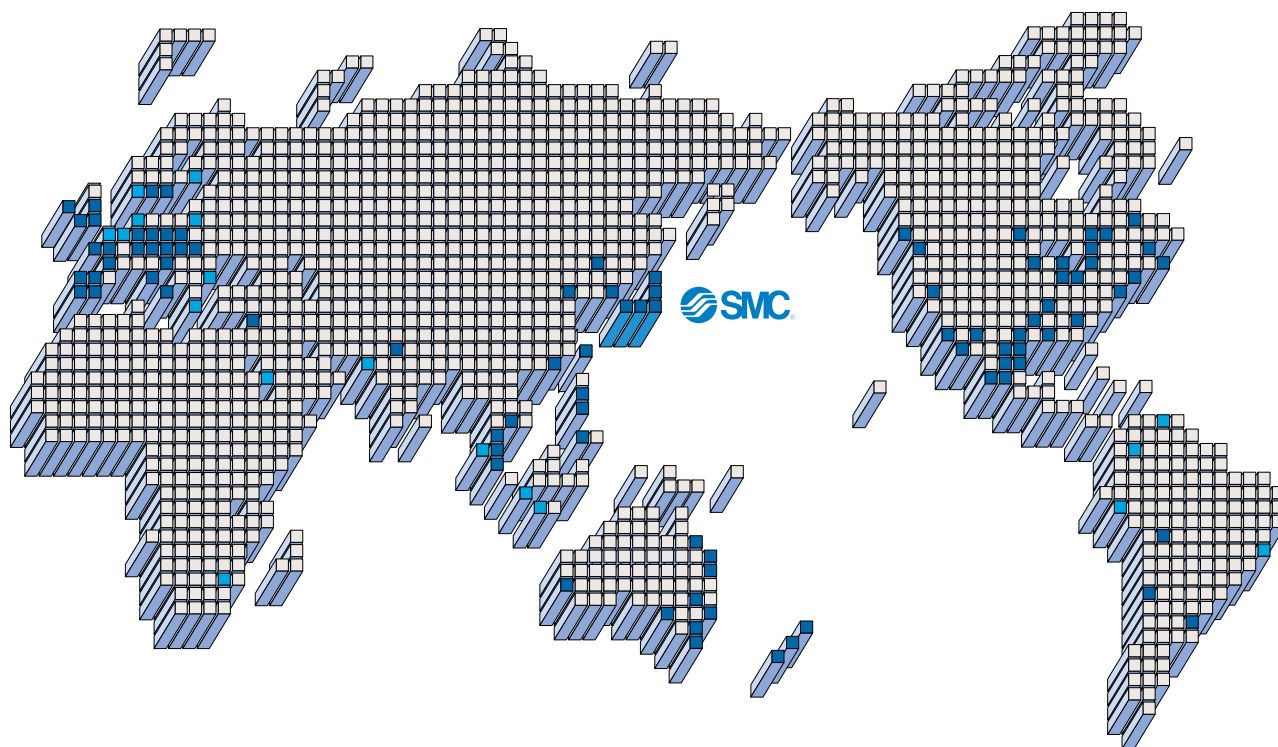
### EVS7-10-F<sup>H</sup><sub>J</sub>G-D-□□M0







## SMC'S GLOBAL MANUFACTURING, DISTRIBUTION AND SERVICE NETWORK



### EUROPE

#### AUSTRIA

SMC Pneumatik GmbH

#### CZECH

SMC Industrial Automation CZ s.r.o.

#### DENMARK

SMC Pneumatik A/S

#### FINLAND

SMC Pneumatics Finland Oy

#### FRANCE

SMC Pneumatique SA

#### GERMANY

SMC Pneumatik GmbH

#### HUNGARY

SMC Ipari Automatizálási Kft.

#### IRELAND

SMC Pneumatics (Ireland) Ltd.

#### ITALY

SMC Italia S.p.A.

#### LATVIA

SMC Pneumatics Latvia SIA

#### NETHERLANDS

SMC Pneumatics BV.

#### NORWAY

SMC Pneumatics Norway A/S

#### POLAND

SMC Industrial Automation Polska Sp.z.o.o.

#### ROMANIA

SMC Romania s.r.l.

#### RUSSIA

SMC Pneumatik LLC.

### EUROPE

#### SLOVAKIA

SMC Priemyselná Automatizácia, s.r.o.

#### SLOVENIA

SMC Industrijska Avtomatika d.o.o.

#### SPAIN/PORTUGAL

SMC España, S.A.

#### SWEDEN

SMC Pneumatics Sweden AB

#### SWITZERLAND

SMC Pneumatik AG.

#### UK

SMC Pneumatics (U.K.) Ltd.

### ASIA

#### CHINA

SMC (China) Co., Ltd.

#### HONG KONG

SMC Pneumatics (Hong Kong) Ltd.

#### INDIA

SMC Pneumatics (India) Pvt. Ltd.

#### MALAYSIA

SMC Malaysia (S.E.A.) Sdn. Bhd.

#### PHILIPPINES

SMC Pneumatics (Philippines), Inc.

#### SINGAPORE

SMC Pneumatics (S.E.A.) Pte. Ltd.

#### SOUTH KOREA

SMC Pneumatics Korea Co., Ltd.

#### TAIWAN

SMC Pneumatics (Taiwan) Co., Ltd.

#### THAILAND

SMC Thailand Ltd.

### NORTH AMERICA

#### CANADA

SMC Pneumatics (Canada) Ltd.

#### MEXICO

SMC Corporation (Mexico) S.A. de C.V.

#### USA

SMC Corporation of America

### SOUTH AMERICA

#### ARGENTINA

SMC Argentina S.A.

#### BOLIVIA

SMC Pneumatics Bolivia S.R.L.

#### BRAZIL

SMC Pneumaticos Do Brazil Ltda.

#### CHILE

SMC Pneumatics (Chile) S.A.

#### VENEZUELA

SMC Neumatica Venezuela S.A.

### OCEANIA

#### AUSTRALIA

SMC Pneumatics (Australia) Pty. Ltd.

#### NEW ZEALAND

SMC Pneumatics (N.Z.) Ltd.

## SMC Corporation

1-16-4 Shimbashi, Minato-ku, Tokyo 105-8659, JAPAN

Tel: 03-3502-2740 Fax: 03-3508-2480

URL <http://www.smcworld.com>

© 2002 SMC Corporation All Rights Reserved

1st printing February, 2002 D-SMC.L.A. P-80 (D)

This catalog is printed on recycled paper with concern for the global environment.

All specifications in this catalog are subject to change without notice.

Printed in Japan.